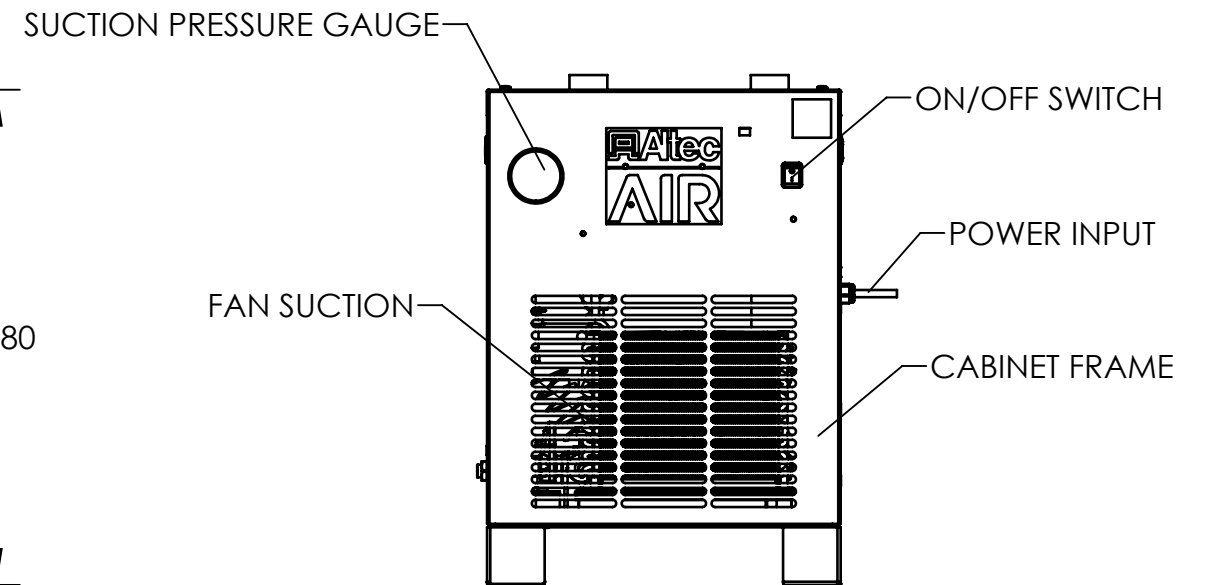
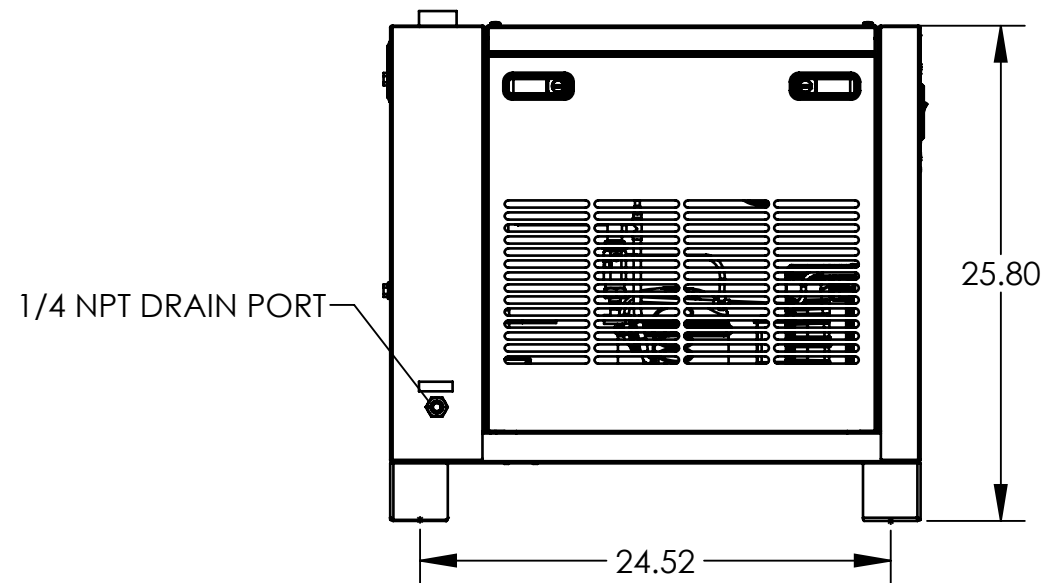
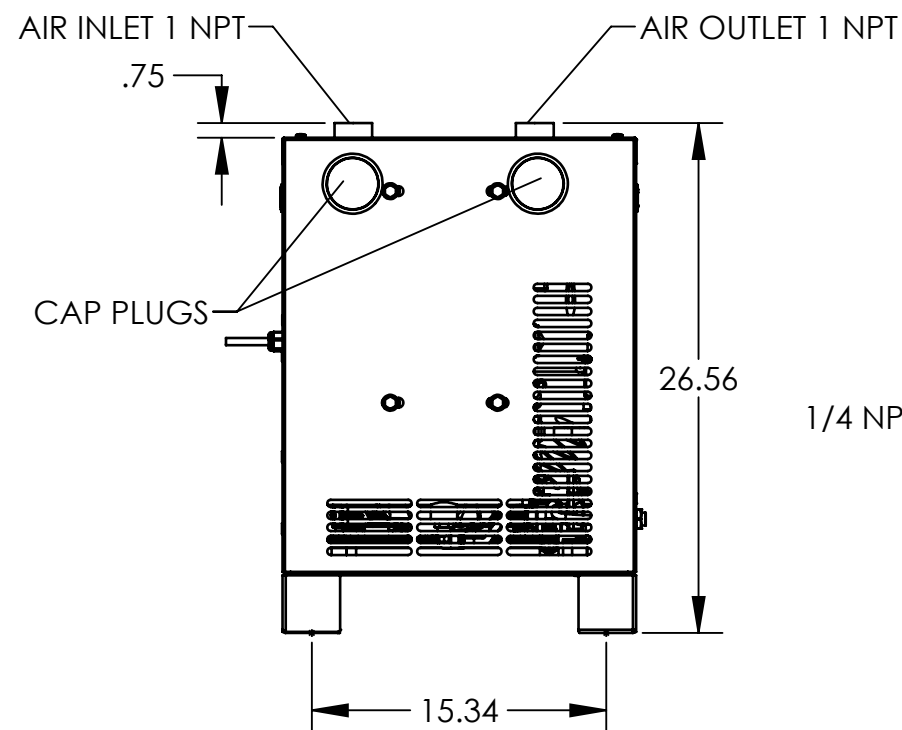
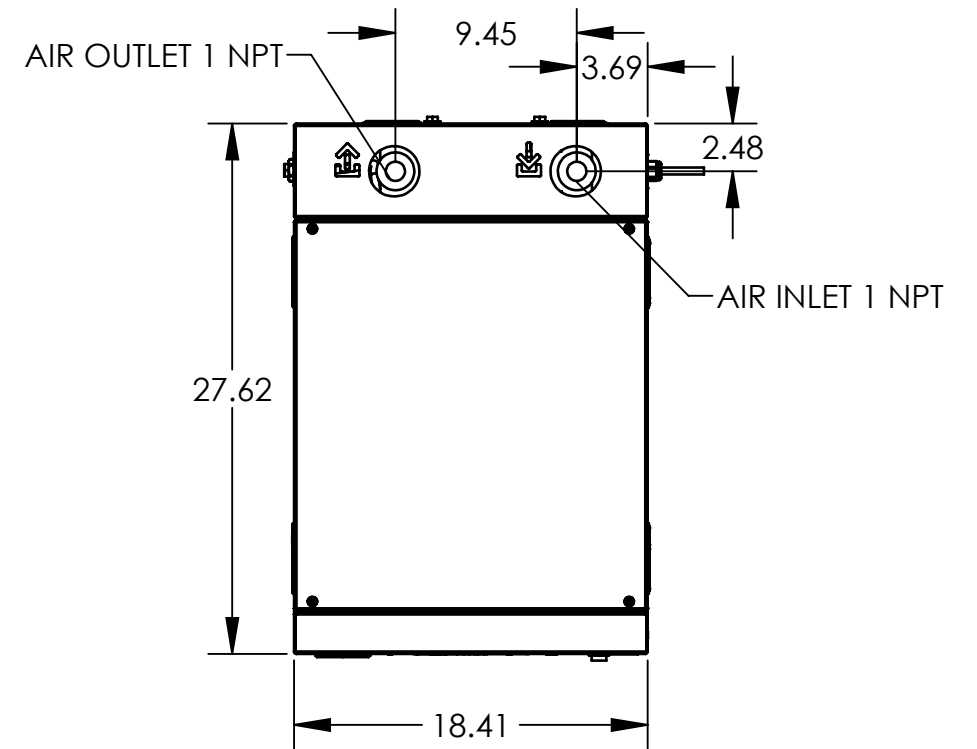
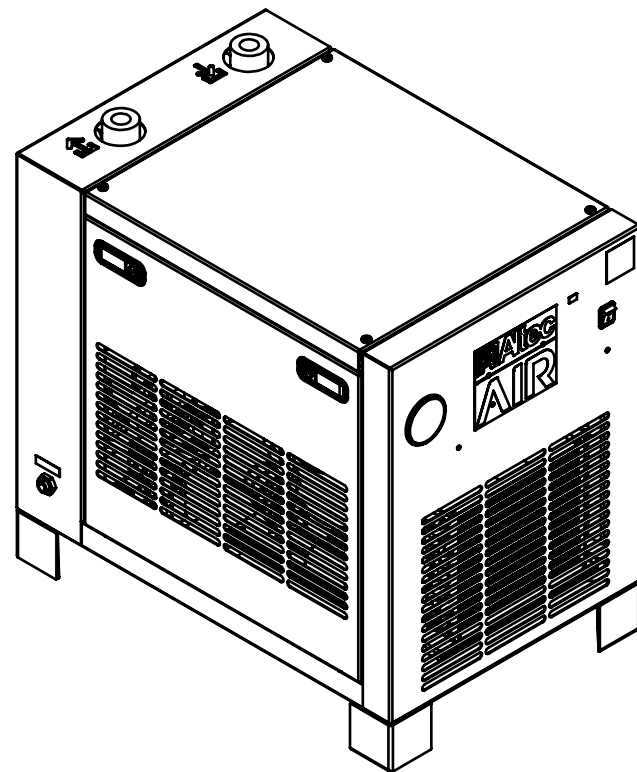


MODEL	RAD-0075A-1
MAX INLET AIR TEMP (F)	140°
MIN/MAX AMBIENT TEMP (F)	45°/120°
VOLTAGE	115V-1Ph-60Hz
REFRIGERANT	R134A
REFRIGERANT CHARGE (OZ)	9.5
LRA	32
RLA	5.82
MCA	9.83
MOP	15
COMPRESSOR	RECIPROCATING
INLET/OUTLET PORT (NPT)	1 NPT
DESIGN PRESSURE LOW/HIGH	150/300
COMPRESSOR HP	1/3
WEIGHT (LBS)	160
PLUG TYPE	NEMA 5-15P
POWER CORD LENGTH (FT)	10



DRAWN	M. DELEON
APPROVED	
DATE	09/14/2021
MATERIAL	
FINISH	
SHEET 1 OF 1	

UNLESS OTHERWISE NOTED, TOLERANCES ARE:
 FRACTIONS: $\pm 1/16$ ANGLES: $\pm 0^{\circ}30'$
 DECIMAL: .X = $\pm .06$ | .XX = $\pm .03$ | .XXX = $\pm .015$ | .XXXX = $\pm .0030$
 MACHINED SURFACES: 125 MICRONS
 THESE TOLERANCES DO NOT APPLY TO BASIC DIMENSIONS.
 DO NOT SCALE THIS PRINT, REMOVE ALL BURRS & SHARP EDGES, ALL DIMENSIONS ARE IN INCHES.
 CAD SOFTWARE: SOLIDWORKS.
 DRAWING DIMENSIONED TO ALTEC STANDARD: CDS-0007.



TITLE: REFRIGERATED, NON CYCLING, 75 SCFM, 115/1/60

CONFIDENTIAL: This drawing and its contents are the proprietary and confidential information of Altec Industries, Inc. and are not to be reproduced, copied or publicly disclosed. If this drawing is provided to someone outside Altec, it is done so for the limited purpose of assisting that recipient with a technical or product issue. In receiving this drawing, the recipient agrees to maintain it in confidence and not to use it beyond the purpose previously stated. Recipient agrees not to reproduce, copy, or publicly disclose this drawing and its contents.

SCALE	WEIGHT	SIZE	NUMBER	REV
1:10		2	RAD-0075A-1	A